

# REMOTE RELEASE BIRD LAUNCHERS

OWNER'S MANUAL



**Dogtra Company**

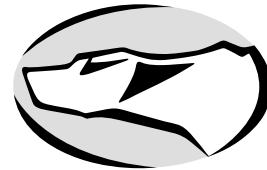
1250 E. 223rd Street, Suite 119  
Carson, CA 90745

Tel : (310) 522 - 1800

Fax : (310) 522 - 1805

Web Site : [www.dogtra.com](http://www.dogtra.com)

Toll Free: 1-888-811-9111



***dogtra RRS***

***dogtra RRD***

***dogtra QL***

***dogtra PL***

## TABLE OF CONTENTS

---

· IMPORTANT SAFEGUARDS.....	4
· OVERVIEW OF BIRD LAUNCHERS.....	5
· FEATURES.....	6
· <b>dogtra RRS,RRD</b> PACKAGE CONTENTS.....	6
· DESCRIPTION OF <b>dogtra RRS</b> TRANSMITTER PARTS .....	7
· DESCRIPTION OF <b>dogtra RRS</b> RECEIVER PARTS .....	10
· DESCRIPTION OF <b>dogtra RRD</b> TRANSMITTER PARTS .....	12
· DESCRIPTION OF <b>dogtra RRD</b> RECEIVER PARTS .....	15
· DESCRIPTION OF LAUNCHER PARTS.....	17
· <b>dogtra QL,PL</b> ASSEMBLY AND OPERATION.....	21
· <b>dogtra QL,PL</b> ADJUSTING SPRING STRENGTH SETTINGS.....	26
· <b>dogtra RRS,RRD</b> RECHARGING THE BATTERIES .....	28
· WARRANTY AND REPAIR.....	32

### IMPORTANT SAFEGUARDS

- DO NOT use the bird launcher until you have read this manual.
- Transport the launcher in a safe position. It should either have the bird cradle open or if it is closed, the safety pin must be inserted to lock the release latch.
- To store for long periods of time, place the bird launcher in the open position to prevent the springs from weakening.
- To avoid danger, keep the bird launcher away from children. Never leave a set bird launcher unattended. The bird cradle pops open with significant force.
- Do not look down upon it or into it during the launch process because you may be injured as the bird cradle opens up.

#### **WARNING**

Use caution when using a bird launcher. Keep your head away from the top of the launcher when it is loaded. You could be injured if the dummy or bird is accidentally launched.

### OVERVIEW OF BIRD LAUNCHERS

**dogtra** Bird launchers help train dogs to hold a point or stop to flush. They also enable you to train a dog by yourself.

**dogtra** Remote Launcher system has a remote controlled launcher that uses a transmitter and receiver to release the launcher. It also has a sound locator horn that enables you to find a launcher in heavy cover.

**dogtra** Remote Launcher system allows you to release up to six launchers by turning the transmitter selector dial to the number that corresponds with the number on the launcher.

## FEATURES

---

### FEATURES

- **SCENTING**: launcher box and bird cradle are designed for maximum air flow
- **QUIET LAUNCH** : prevents dogs from being startled by a loud release noise
- **RANGE** : half-mile reception capability
- **RECHARGEABLE BATTERIES** : charger include.
- **MULTIPLE RELEASERS** : up to six launchers controlled from the same transmitter

### *dogtra* RRS, RRD PACKAGE CONTENTS

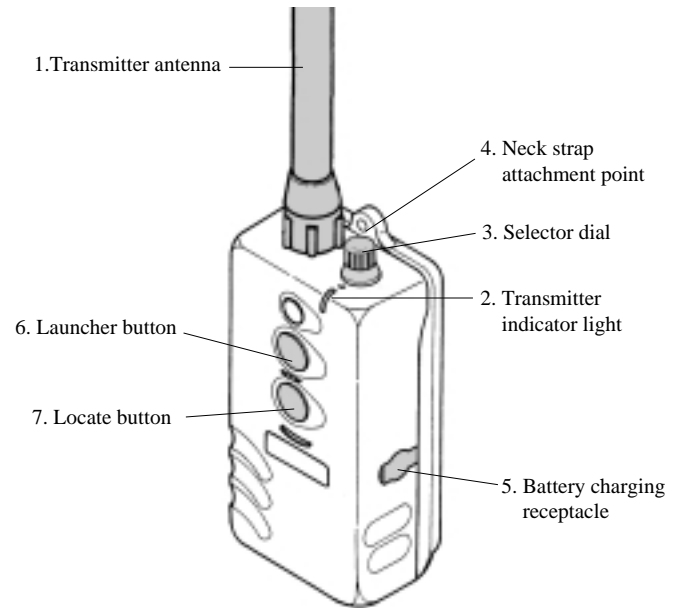
- Transmitter and Antenna
- Receiver(s)
- Battery Charger and Cables
- Owner's Manual

## DESCRIPTION OF TRANSMITTER *dogtra* RRS

---

### DESCRIPTION OF *dogtra* RRS TRANSMITTER PARTS

*dogtra* RRS transmitter



**TRANSMITTER FUNCTIONS :**

1. Transmitter antenna : Sends transmissions from the transmitter to the receiver.
2. Transmitter indicator light : Shows you when the transmitter is in use. When you press the Locate or Launcher buttons, the indicator light glows red. If it does not light up, the battery needs to be recharged.
3. Selector dial : Turn the dial to select the launcher you want to activate (one to six).

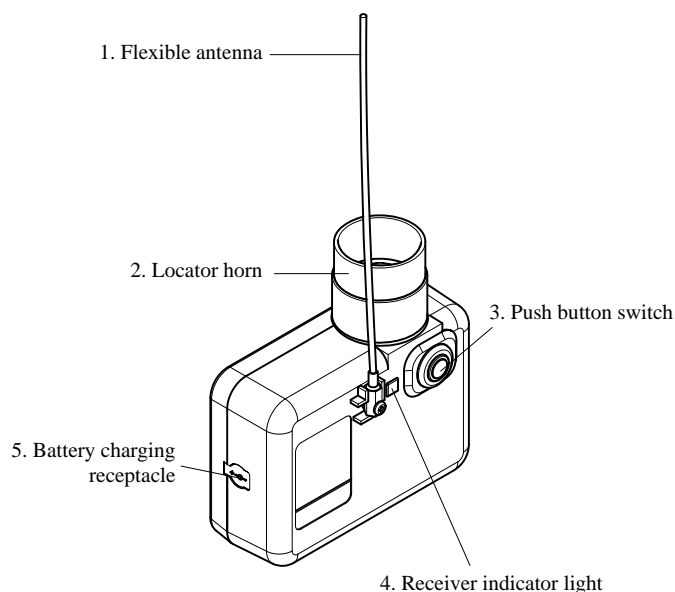
**NOTE :** To select a launcher, check the number printed on the front of the launcher's receiver. You need to first obtain as many launchers, up to six, as fits your need to use this dial.

4. Neck strap attachment point : Clip neck strap to the attachment point.

5. Battery charging receptacle : Plug the charger cable jack into this receptacle when charging the collar. After charging, make sure the rubber cover is fully seated so that dirt will not enter the receptacle.
6. Launcher button : Press once to release the launcher.
7. Locate button : Press to cause the locator horn on the launcher to emit a loud sound.

## DESCRIPTION OF *dogtra* RRS RECEIVER PARTS

### *dogtra* RRS Receiver

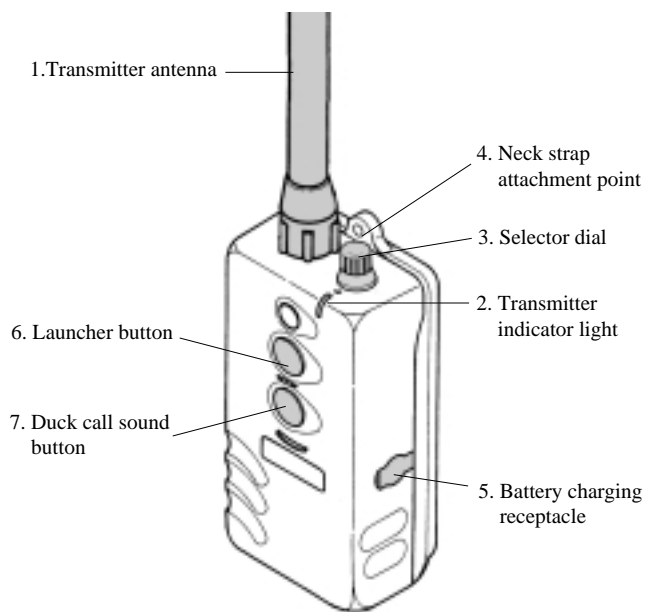


### LAUNCHER FUNCTIONS :

1. Flexible antenna - Receives transmissions from the transmitter.
2. Locator horn - Emits a loud sound when the transmitter's Locate button is pressed. It is designed to help you find the launcher in heavy cover.
3. Push button switch - Turns power on and off.
4. Receiver indicator light - Shows you when the receiver is in use. When the receiver is turned on, the indicator light will glow red. If it does not come on, the battery needs to be charged.
5. Battery charging receptacle - To charge the launcher, plug the battery cable jacks into the battery charging receptacle.

## DESCRIPTION OF *dogtrà RRD* TRANSMITTER PARTS

*dogtrà RRD* transmitter



## TRANSMITTER FUNCTIONS :

1. Transmitter antenna : Sends transmissions from the transmitter to the receiver.
2. Transmitter indicator light : Shows you when the transmitter is in use. When you press the Locate or Launcher buttons, the indicator light glows red. If it does not light up, the battery needs to be recharged.
3. Selector dial : Turn the dial to select the launcher you want to activate (one to six).

**NOTE :** To select a launcher, check the number printed on the front of the launcher's receiver. You need to first obtain as many launchers, up to six, as fits your need to use this dial.

4. Neck strap attachment point : Clip neck strap to the attachment point.

## DESCRIPTION OF TRANSMITTER PARTS *dogtrà RRD*

---

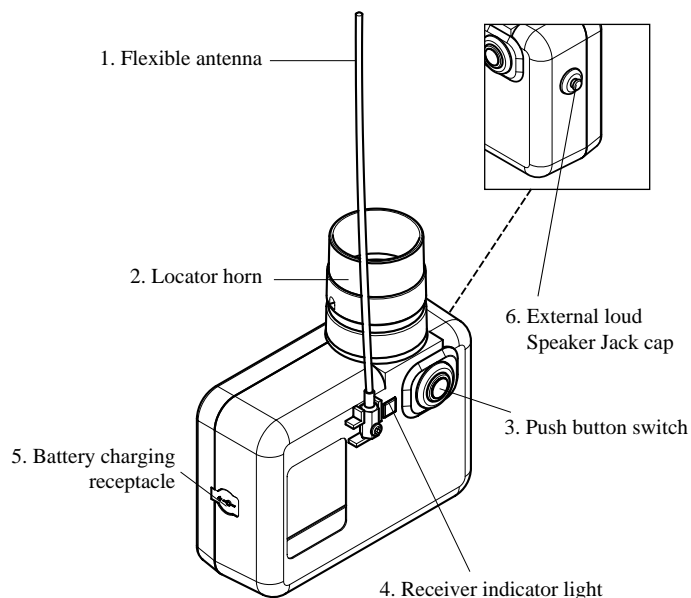
5. Battery charging receptacle : Plug the charger cable jack into this receptacle when charging the collar. After charging, make sure the rubber cover is fully seated so that dirt will not enter the receptacle.
6. Launcher button : Press once to release the launcher.
7. Duck call sound button : Press to cause the locator horn on the launcher to emit a loud duck sound.

## DESCRIPTION OF RECEIVER *dogtrà RRD*

---

### DESCRIPTION OF *dogtrà RRD* RECEIVER PARTS

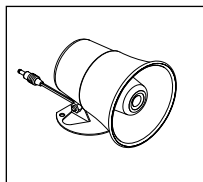
#### *dogtrà RRD* Receiver





### LAUNCHER FUNCTIONS :

1. Flexible antenna - Receives transmissions from the transmitter.
2. Locator horn - Emits a loud sound when the transmitter's Locate button is pressed. It is designed to help you find the launcher in heavy cover.
3. Push button switch - Turns power on and off.
4. Receiver indicator light - Shows you when the receiver is in use. When the receiver is turned on, the indicator light will glow red. If it does not come on, the battery needs to be charged.
5. Battery charging receptacle - To charge the launcher, plug the battery cable jacks into the battery charging receptacle.

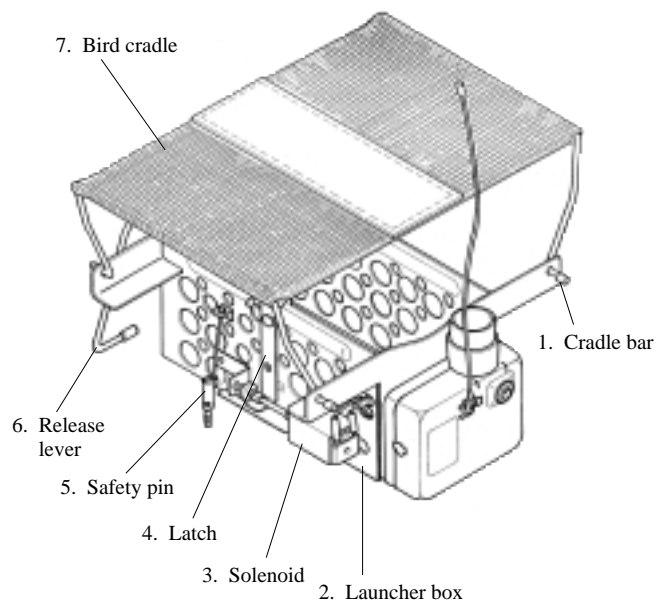


External Speaker

6. An external speaker is sold separately to increase longer audio range.

Insert external speaker plug in speaker jack on side of receiver.

### DESCRIPTION OF LAUNCHER PARTS (QL, PL)



## DESCRIPTION OF LAUNCHER PARTS (QL, PL)

---

### LAUNCHER FUNCTIONS :

1. Cradle bar - Supports the bird cradle.
2. Launcher box - Frames the launcher and contains large holes for maximum air flow and scenting possibilities.
3. Solenoid - Activates the latch.
4. Latch - Holds the bird cradle closed when it is set for launch.
5. Safety pin - When inserted, roller bearing prevents the bird launcher from being opened.
6. Release lever - Is held closed by the latch when the launcher is set.
7. Bird cradle - Holds dummy or birds for launching.

## DESCRIPTION OF LAUNCHER PARTS (QL, PL)

---

### ***dogtra*** LAUNCHER SIZE

- SIZE : ***dogtra QL*** (Launcher) - for quail
  - 8.6" × 4.5" × 4.3"
  - an excellent choice for quail and pigeons

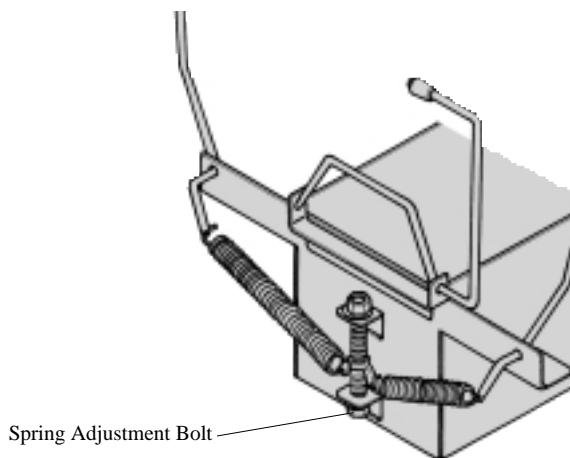
- dogtra PL*** (Launcher) - for pheasant
  - 13.2" × 6.9" × 6.9"
  - handles large birds with ease

### DIAGRAM OF BACK VIEW TO LAUNCHER

- To adjust spring strength settings, use a flathead screwdriver and turn the bolt to move the springs up and down.

Moving the springs from top to bottom increases launch power : the very top being lowest and the very bottom being highest.

### BACK VIEW OF SPRING SETTINGS



## *dogtra* QL, PL ASSEMBLY AND OPERATION

### ASSEMBLY

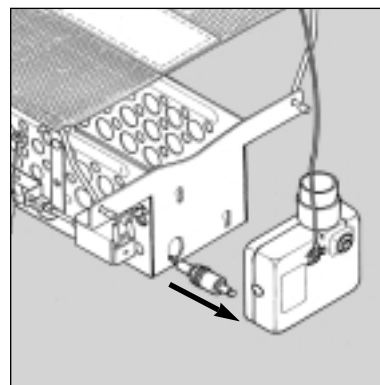


Figure 4. Plugging Solenoid cord into receiver.

- 1) Check that all parts have been included.
- 2) Pull the solenoid cord through the hole in the launcher box and plug it into the receiver's outlet (Figure 4).

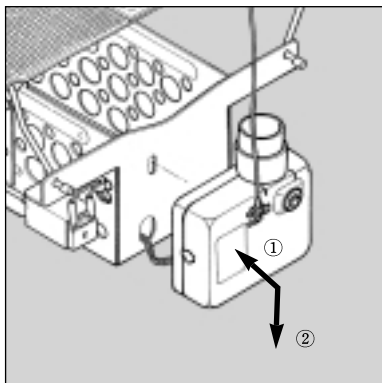


Figure 5. Mounting the receiver.

- 3) To mount the receiver, attach the receiver to the launcher box (1) and push down gently so that it locks in place (2). Check to see that the receiver is attached securely by pulling the receiver.
- 4) Pull out the safety pin. Release the latch to open the bird launcher.

## OPERATION

- First, test the launcher without any dummy or bird inside.

### WARNING

Keep your head away from the top of the launcher when it is loaded. You could be injured if the dummy or bird is launched accidentally.

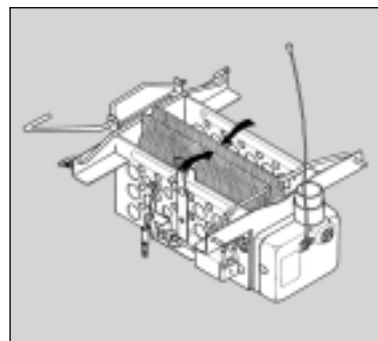


Figure 6. Closing the launcher.

- 1) Close the bird cradle inside the launcher box and hold it in place (Figure 6).

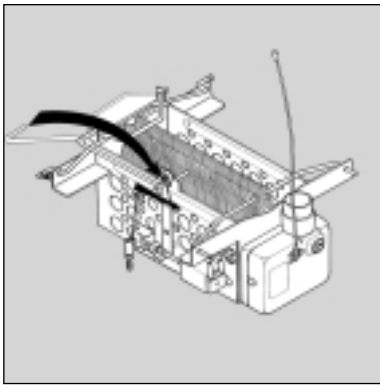


Figure 7. Setting the latch.

- 2) Place the release lever under the latch roller bearing (Figure 7).
- 3) Turn the receiver on.

- 4) Press the transmitter's Locate button. (Duck call sound button) It is working properly if the receiver Locator horn emits a loud sound. (Duck sound)

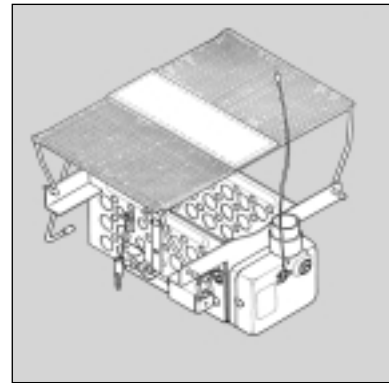


Figure 8. Remote launcher released.

- 5) Press the transmitter's Launcher button. The remote launcher is working properly if the bird cradle pops open (Figure 8).

## ***dogtra* QL, PL ADJUSTING SPRING STRENGTH SETTINGS**

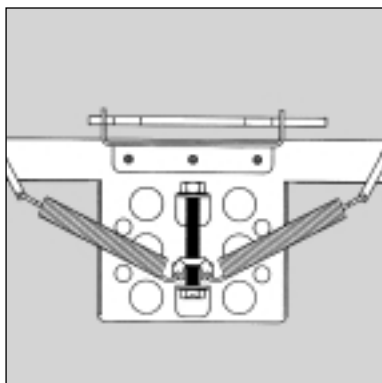


Figure 9. Positioned for high launch

- 1) The bird launcher is shipped with the springs adjusted in the bottom setting. This setting gives you the high launch. Turning clockwise, move the springs down for a high launch (Figure 9). : the very bottom being highest.

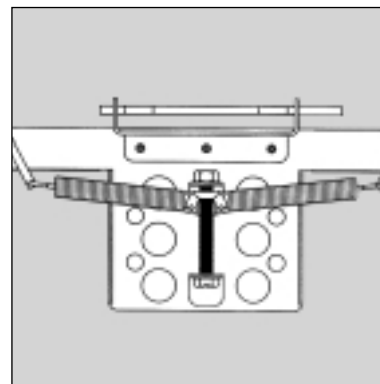


Figure 10. Positioned for quiet launch

- 2) Turning counter-clockwise, move the springs up for a low launch (Figure 10) : the very top being lowest.

## ***dogtra* RRS, RRD RECHARGING THE BATTERIES**

### **PRECAUTIONS :**

- 1) Charge the batteries indoors.
- 2) Do not charge near any flammable substances or with the power on.
- 3) Keep the battery charger free of moisture.
- 4) Keep the battery charging receptacles on both the transmitter and receiver free of dirt. Should the battery charging receptacles become wet, wipe them dry before charging.
- 5) Use only the battery charger included with your launcher. Other chargers are not compatible.

### **WHEN TO CHARGE :**

- 1) During frequent use, charge the transmitter when the indicator light is blinking on and off or the light does not come on when either the Duck call sound button or Launcher button is pressed.
- 2) Charge the receiver when the indicator light does not come on when the Power ON/OFF Button is turned on.
- 3) Fully charge the batteries for about 14 hours once every month, even if the launcher is being stored without use.
- 4) The battery comes fully charged from the factory. However, since the battery can gradually discharge during storage time, it is recommended that you charge the battery for about 14 hours before initial use.

**HOW TO CHARGE THE TRANSMITTER  
AND RECEIVER :**

- 1) Turn off the power to the receiver.
- 2) Plug the battery charger into a 110-volt wall outlet.
- 3) Attach the double cable end of the battery charging cables to the battery charging receptacles on the transmitter and receiver. (When charging the transmitter or receiver separately, there is no need to use the battery charging cables, just connect the battery charger lead directly to the transmitter or receiver).
- 4) Attach the other end of the battery charging cables to the battery charger cord. The indicator lights will turn on and glow red when the battery is charging. They remain on even when the battery is fully charged.

- 5) Charge the batteries for 14 hours.
- 6) After charging, disconnect the battery charging cables from the battery charging receptacles and fully seat the rubber covers into the receptacles so that dirt will not enter them.
- 7) Turn on the receiver's power switch and press the transmitter launcher button to make sure the indicator lights turn on, indicating that the batteries are now charged.



## WARRANTY AND REPAIR INFORMATION

### Warranty Repair

**Dogtra Company** provides the original purchaser a one-year limited warranty for repair for the remote release/bird launchers on parts and labor from the date of the original purchase.

Dogtra DOES NOT replace defective units or refund after 30 days of purchase.

Dogtra's warranty DOES NOT cover repairs or replacement due to misuse, improper maintenance or lost units. All replacement cost for either the transmitter or receiver is the owner's responsibility.

The warranty is void if the unit has been altered or an unauthorized person has attempted repair work.

Return shipping of warranty work is the owner's responsibility. The cost for shipping (via regular ground service) back to the customer is covered by Dogtra Co. within the continental United States.

Any expedited shipping service will be at the owner's expense.

A copy of the sales receipt showing purchase date is required before warranty work is begun.

Write a note briefly explaining the problem and include your name, address, city/state/zip code, daytime phone number and evening phone number.

Send unit for repair to :

### **Dogtra Company**

1250 E. 223rd Street, Suite 119  
Carson, CA 90745

For any questions concerning your dogtra products call us Toll Free at 1-888-811-9111.

## REPAIR

---

### **Out of Warranty Repair**

For repair work that is no longer covered by warranty, the cost of repair will include parts, labor and shipping. Write a note briefly explaining the problem. Include your name, address, city/state/zip code, daytime phone number and evening phone number.

Send unit for repair to :



### **Dogtra Company**

1250 E. 223rd Street, Suite 119  
Carson, CA 90745

Tel : (310) 522 - 1800

Fax : (310) 522 - 1805

Toll Free : 1-888-811-9111